

0 1 2 3 4 5 6 7 8

A

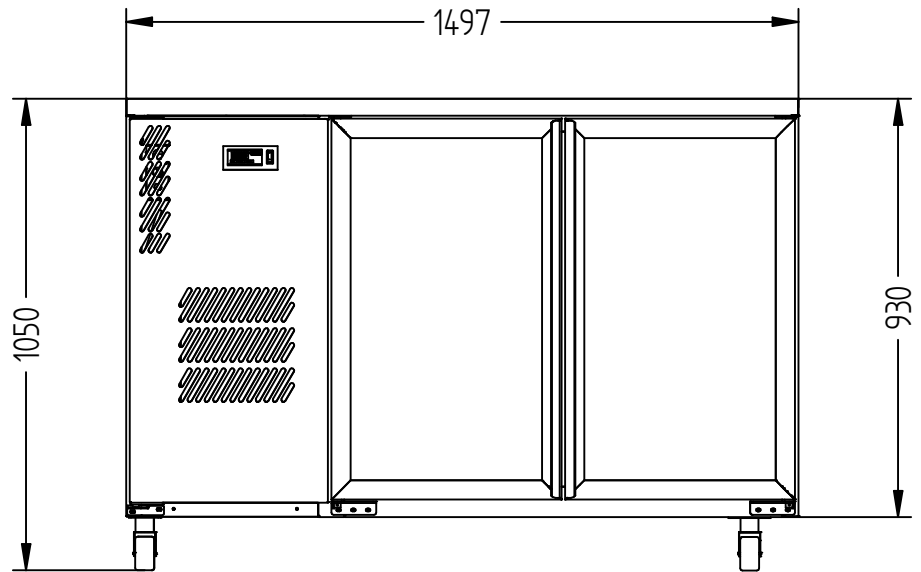
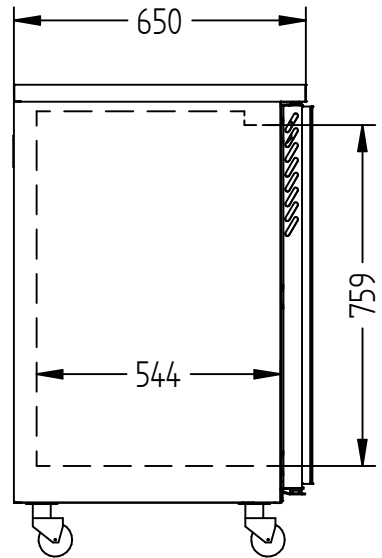
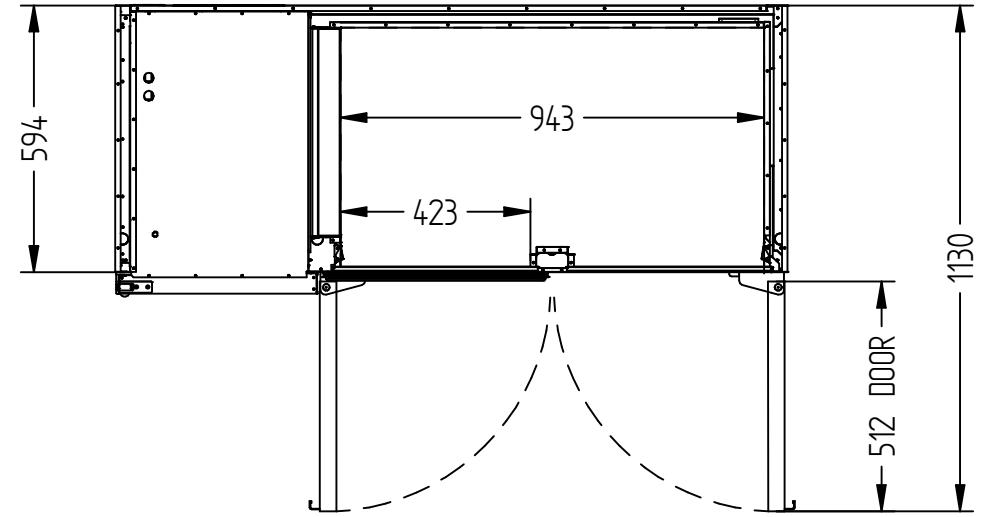
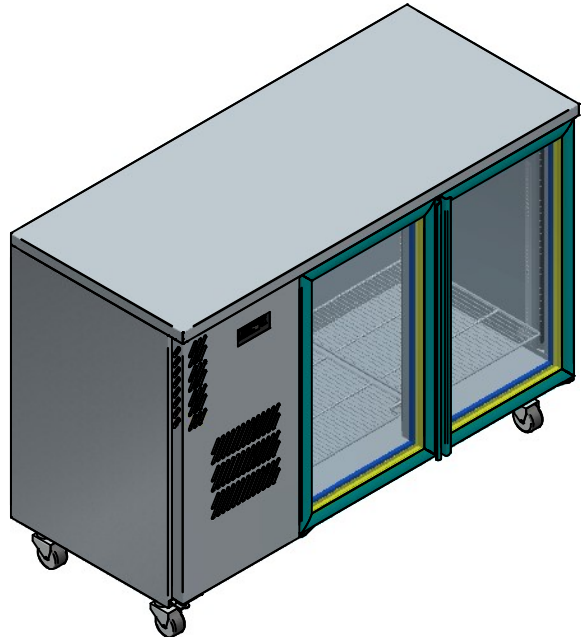
B

C

D

E

F



REV	DESCRIPTION	DATE	BY
-	-	-	-

williams
REFRIGERATION AUST. PTY. LTD
This drawing and all copies produced remain the property of Williams Refrigeration and must not be copied or distributed by any third party without obtaining authorisation

UNLESS OTHERWISE STATED ALL DIMENSIONS IN MILLIMETERS.
GENERAL TOLERANCES:
LINEAR
ANGULAR +/-1°

UP TO 6	+/-0.1
7 TO 30	+/-0.2
31 TO 120	+/-0.3
121 TO 315	+/-0.5
316 TO 1000	+/-0.8
1000 & OVER	+/-1.2

DRAWN: Brian H
DATE: 07/07/18
CHECKED: E.B.
DRAFTING STANDARD AS 1100

MATERIAL: -
MODEL: HC2U-
TITLE: Cameo Star - Unitized Front Breathing Glass Door x 2

STOCK No. --
DWG: HC2UG-