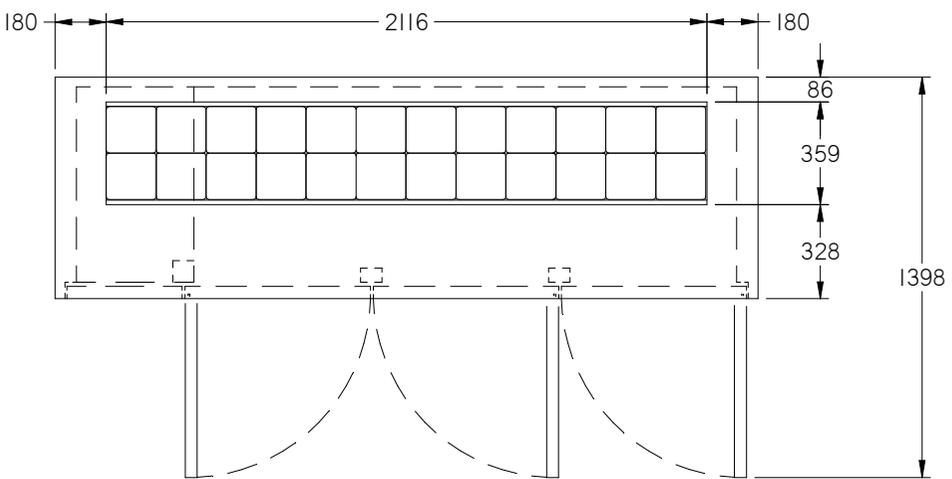
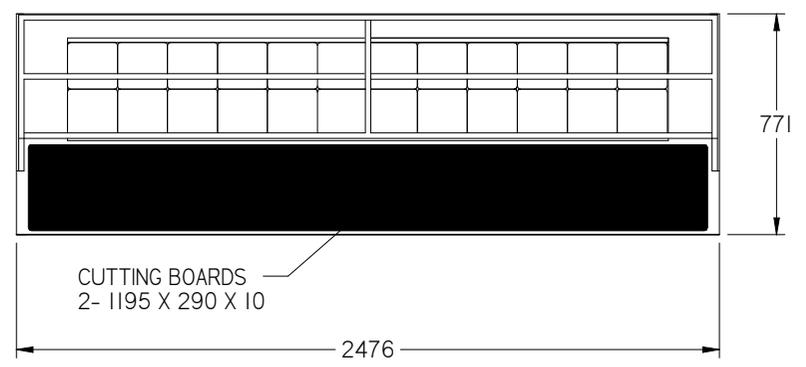


0 1 2 3 4 5 6 7 8

A



WELL OPENING:  
WILL ACCEPT 2 ROWS OF 12 x 1/6 POTS



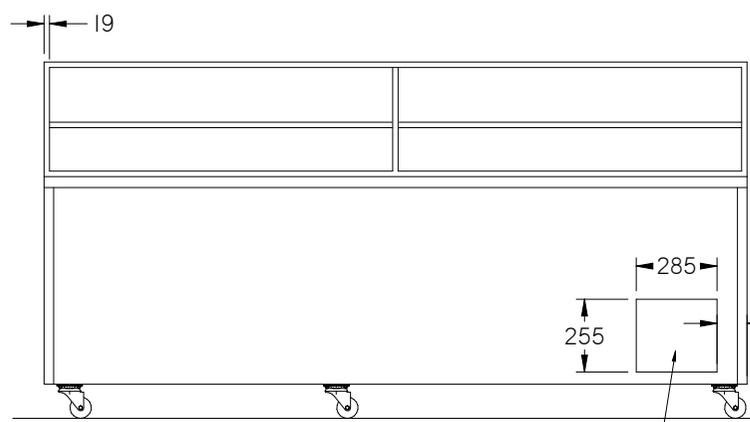
CUTTING BOARDS  
2- 1195 X 290 X 10

TOP VIEW

B

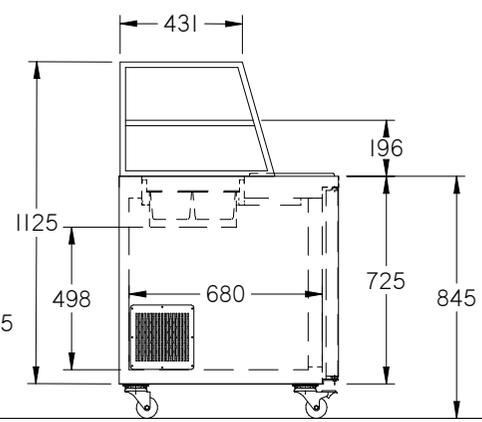
C

D

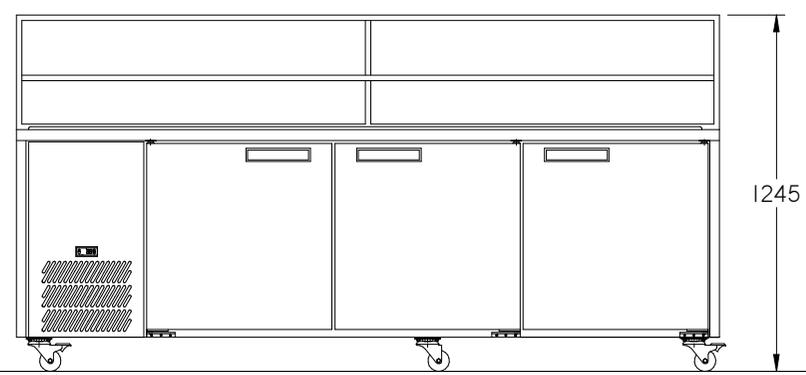


REAR VIEW

DUCT OPENING REQ.  
FOR AIR EXHAUST  
FROM CONDENSER



SIDE VIEW



FRONT VIEW

E

F

REV	DESCRIPTION	DATE	BY
03	Changed to 1-6 pot size and FMH	15.05.15	RK
02	Canopy Frame Strengthened & 19.0 was 25.0	10.12.09	J.L.
01	Redrawn on SE	27.07.09	J.L.



UNLESS OTHERWISE STATED ALL DIMENSIONS IN MILLIMETERS.  
GENERAL TOLERANCES:

LINEAR	ANGULAR +/-1°
UP TO 6	
7 TO 30	
31 TO 120	
121 TO 315	
316 TO 1000	
1000 & OVER	

DRAWN: J.L.	DATE: 27.07.09
CHECKED:	
DRAFTING STANDARD AS 1100	

STORAGE CAPACITY: 775 Litres	STOCK No. --
MODEL: HJ3SCBA-000	
TITLE: JADE 3 DOOR WITH BLOWN AIR WELL	DWG: J3SCBA