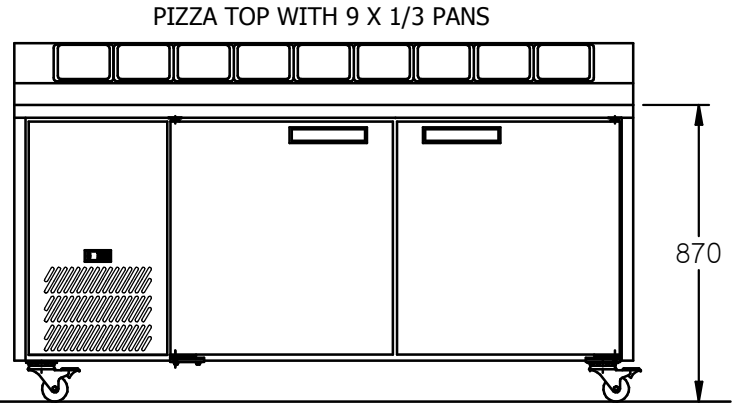
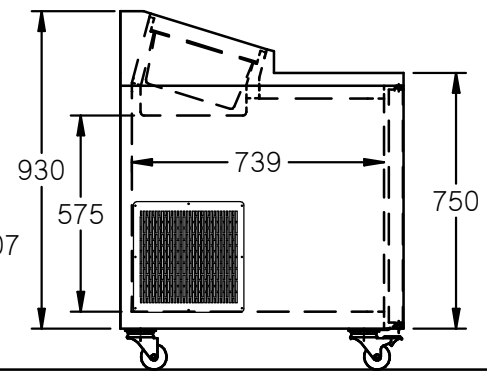
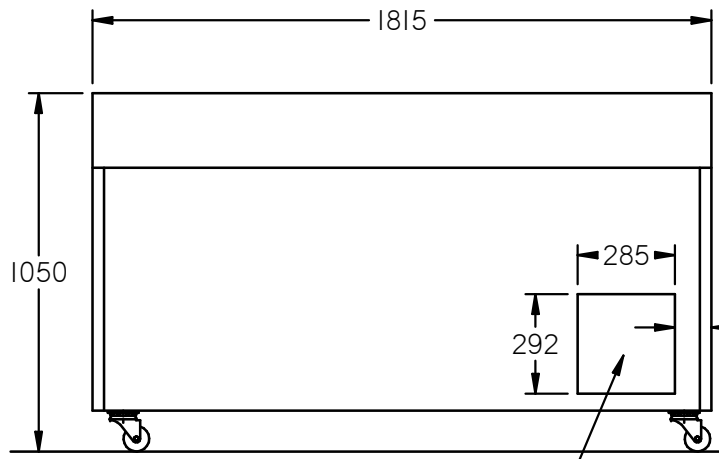
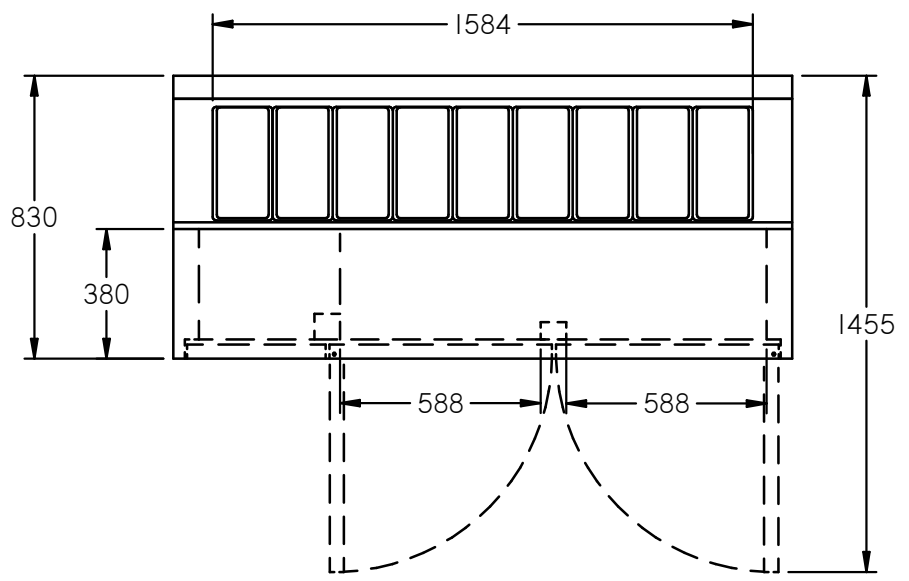


A
B
C
D
E
F



DUCT OPENING REQ FOR AIR EXHAUST FROM CONDENSER

REV	DESCRIPTION	DATE	BY
-	-	-	-

williams
REFRIGERATION
AUST. PTY. LTD.

UNLESS OTHERWISE STATED ALL DIMENSIONS IN MILLIMETERS.
GENERAL TOLERANCES:
UP TO 6 +/-0.1
7 TO 30 +/-0.2
31 TO 120 +/-0.3
121 TO 315 +/-0.5
316 TO 1000 +/-0.8
1000 & OVER +/-1.2
ANGULAR +/-1°
LINEAR

DRAWN: WRA
DATE: 19 07 04
CHECKED:
DRAFTING STANDARD AS 1100

MATERIAL: -
MODEL: J2PCBA
TITLE: JADE 2 DOOR - BLOWN AIR WELL
PIZZA COUNTER - 9 POTS

STOCK No. --
DWG: J2PCBA