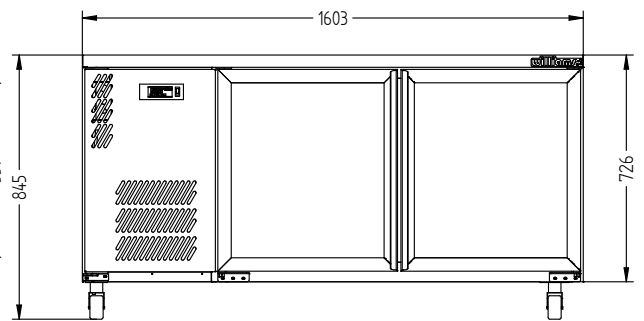
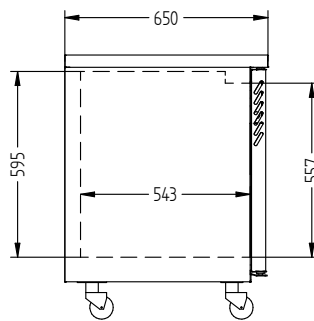
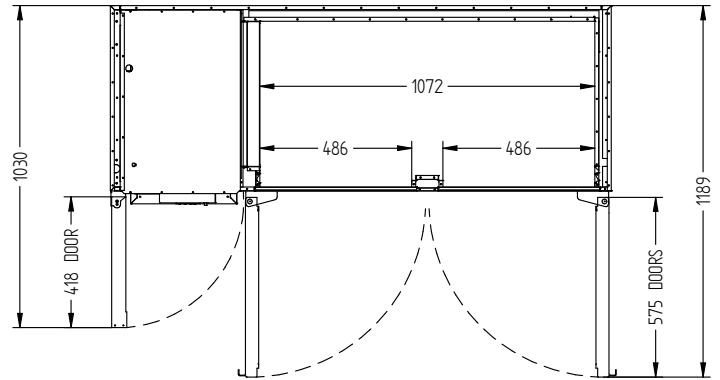


# HB2UG



CATEGORY	GENERAL COUNTERS & BACK BARS
RANGE	<b>BORONIA</b>
UNIT	REFRIGERATOR
TYPE	SELF CONTAINED
DOORS	2



## SPECIFICATIONS

CAPACITY LITRES	360
TEMPERATURE	1°C / 4°C
FRONT BREATHING	YES
DIMENSIONS - W X D X H (ON 120 MM H CASTORS) MM	1603 W x 650 D x 845 H
WEIGHT UNPACKED (KG)	140

## STANDARD INCLUSIONS \*\*\*

DOOR TYPE	Standard: G (Glass Door)
FINISH (INTERIOR AND EXTERIOR EXCLUDING REAR AND UNDER)	B (Black with stainless steel countertop and internal floor) or S (Stainless Steel) interior and exterior excluding rear and under
SHELVES/DOOR (ADJUSTABLE STRIPS AND CLIPS)	2

## GAS TYPE

REFRIGERANT	R134a
-------------	-------

## ELECTRICAL

POWER SUPPLY	10 amp
POWER CABLE LENGTH (METRES)	2
RUNNING AMPS	2.7

## PERFORMANCE

KWH/24H READING	4.3
TEST STANDARD	EN 16825 (Professional)
TEST CONDITIONS	4 M1
AMBIENT RATING	43°C

\*\*\* For **OPTIONS** refer to the current Williams Price Guide