

## Countertop Digital Autolift Fryer W.FRSA110

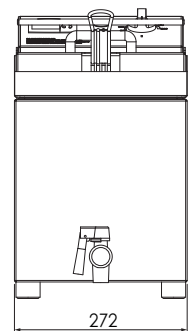
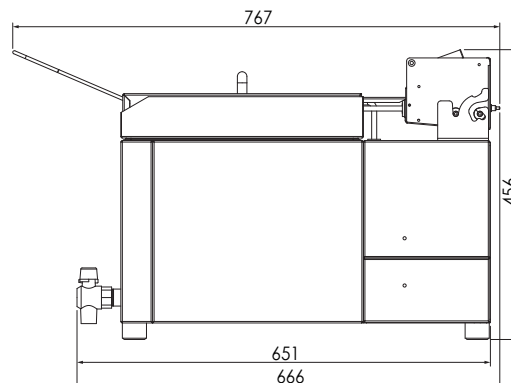
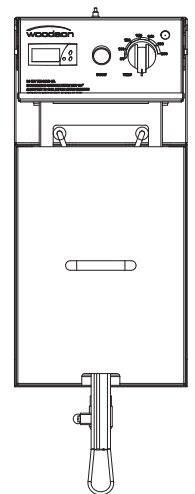


### Product Information:

- Mechanical thermostat temperature control
- Digital timer (1-999 Sec/Mins)
- Designed for 180°C frying
- Suitable for use with liquid oil only
- Cooking capacity approximately 15kg/hr, of frozen 10mm chips
- Over temperature safety cut-out as standard
- Stainless steel element covers
- Basket holder at rear for draining
- Removable splash guard
- Removable tilting element assembly
- Drain tap, for easy cleaning
- Snug fitting stainless steel tank cover
- Supplied complete with basket
- Power on and indicator light
- Supplied with 2 metre lead and 20 Amp single phase 3 round pin capture plug, for fitting on site to a suitable industrial style outlet

### Specifications

<b>Model</b>	<b>W.FRSA110</b>
<b>Height</b>	456mm
<b>Width</b>	272mm
<b>Depth</b>	666mm (with basket 767mm)
<b>Circuit</b>	Dedicated x 1
<b>Power</b>	240 V 4.8 kW 20A plug & lead fitted
<b>Capacity</b>	11 Litre



Due to continuous product research and development, the information contained herein is subject to change without notice.

Revision: B - 28/08/2020

[www.stoddart.com.au](http://www.stoddart.com.au)

[www.stoddart.co.nz](http://www.stoddart.co.nz)