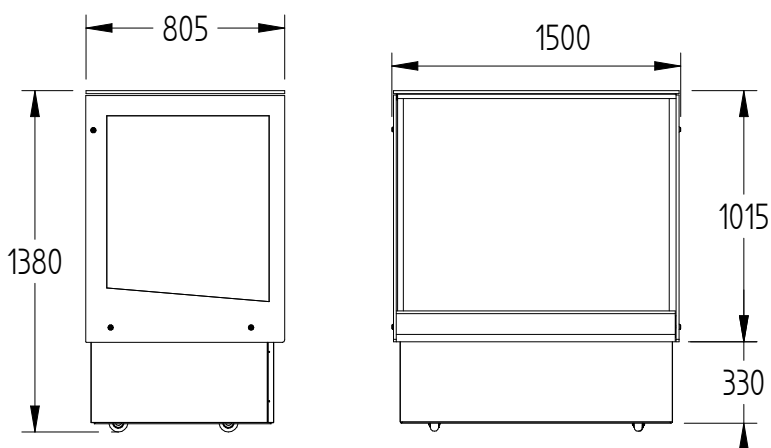
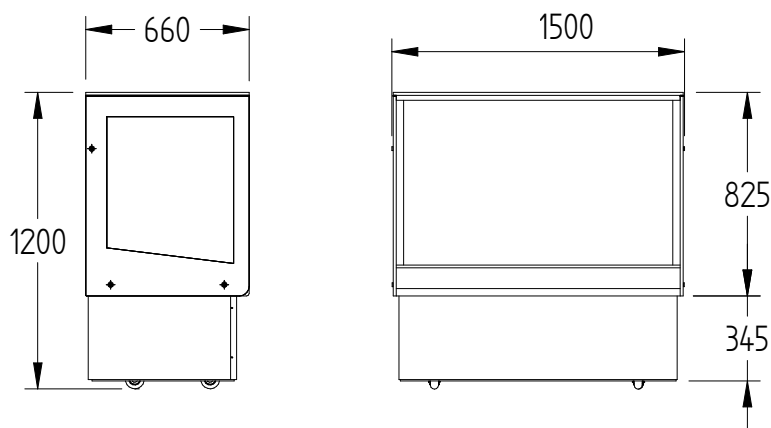


HTC15



CATEGORY	TOPAZ CAFÉ RANGE
RANGE	Topaz Cake Display
UNIT	REFRIGERATOR
TYPE	SELF CONTAINED
SHELVES	3



SPECIFICATIONS

DIMENSIONS - W X D X H (ON CASTORS) MM		1500 W x 660 D x 1200 H
TEMPERATURE		1°C / 4°C
WEIGHT UNPACKED (KG)		300
DOOR TYPE		Standard: SL (Sliding Rear Doors)
FINISH		SS (Stainless Steel exterior)
SHELVES (INCLUDING BASE)		3
ELECTRICAL		
POWER SUPPLY		10 amp
HTC MODELS	RUNNING AMPS	3.8
GAS TYPE		
REFRIGERANT	FRIDGE MODELS	R404a

*** For **OPTIONS** refer to the current Williams Price Guide